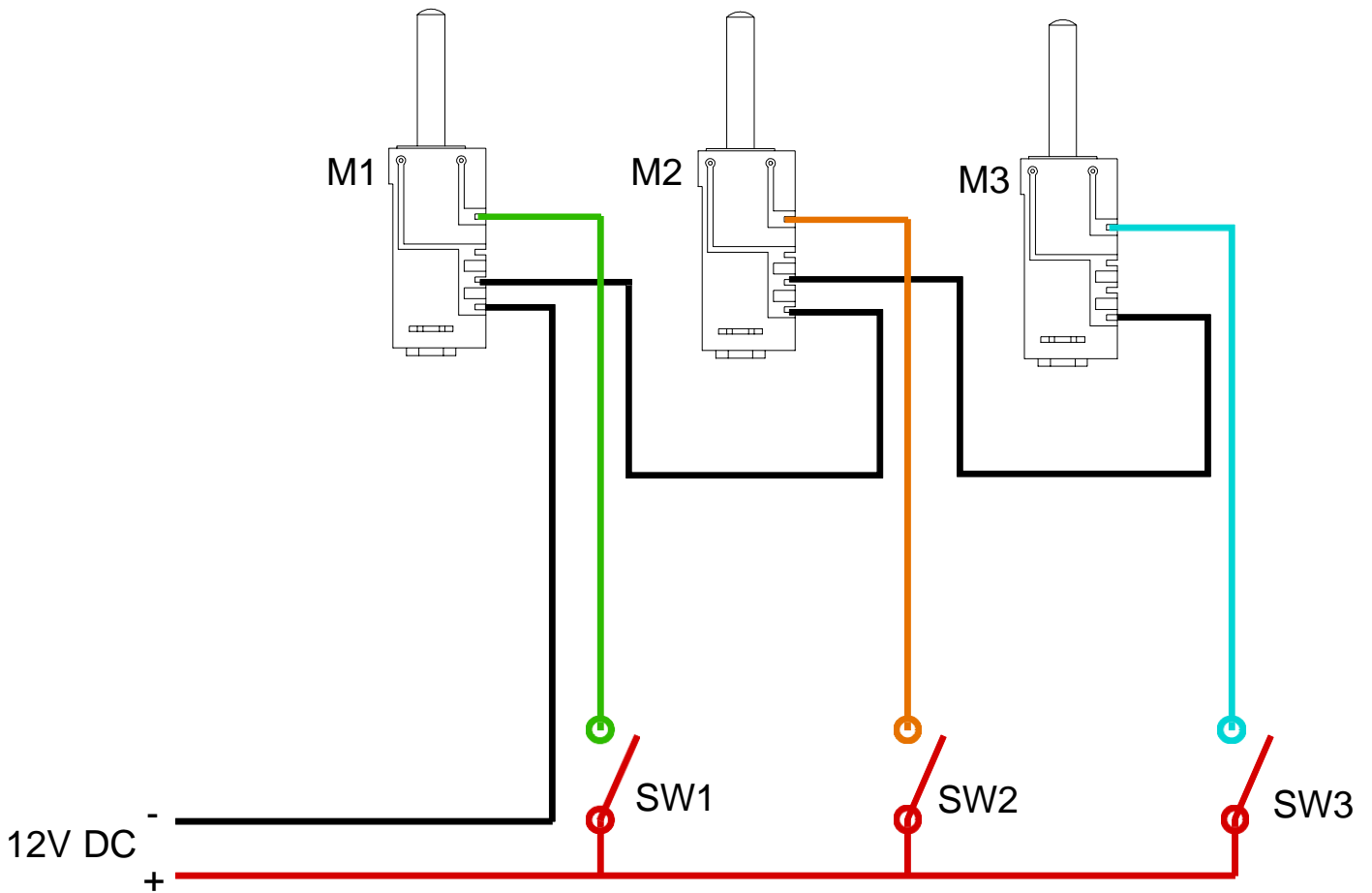




Wiring Diagram Dingham Autocoupler Electromagnets



M1 – 3: Dingham electromagnets

SW1 – 3: Switches. Must be of a type that cannot be left on such as biased-to-off toggle switches or push-to-make switches.